

90° PCB MOUNTED INSULATED SOCKET - DOUBLE

Sheet No. **PS 0484**

Date: 02.10.94

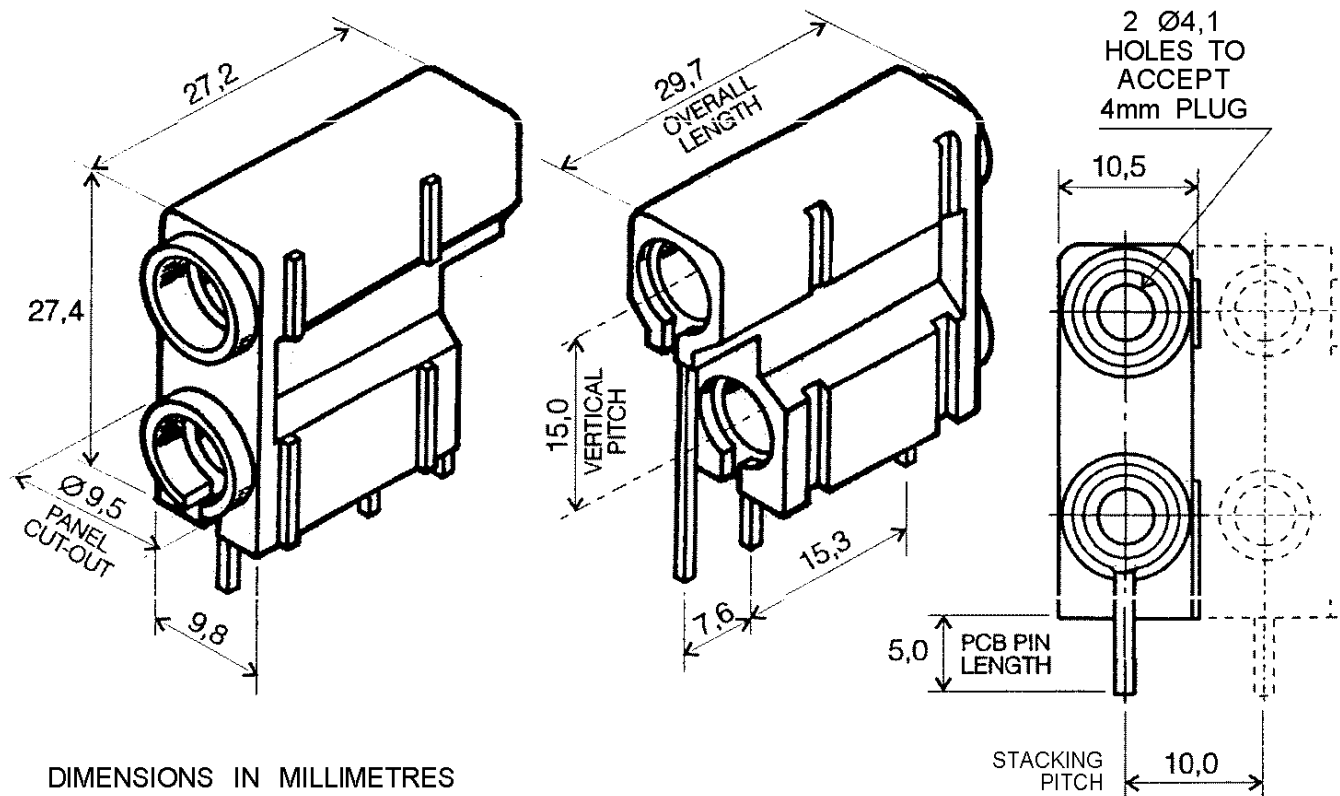
Sheet 1 of 1

Signature

Issue No. 2

Deltron Part No. **572 SERIES**

Dimensions



Description

A double insulated 4mm socket, for direct mounting onto printed circuit boards. Has grooves in the outer acetal housing which provide side stacking alignment.

COLOUR ORDER CODE

BLACK	572-0100
BLUE	572-0200
BROWN	572-0300
GREEN	572-0400
RED	572-0500
WHITE	572-0600
YELLOW	572-0700

Features

MATERIALS

HOUSING	: Acetal
PINS	: Brass, silver plated
BUSHES	: Brass, silver plated

CURRENT RATING : 10 Amps

