

90° PCB MOUNTED INSULATED SOCKET - DOUBLE

Sheet No. **PS 0484**

Date: 02.10.94

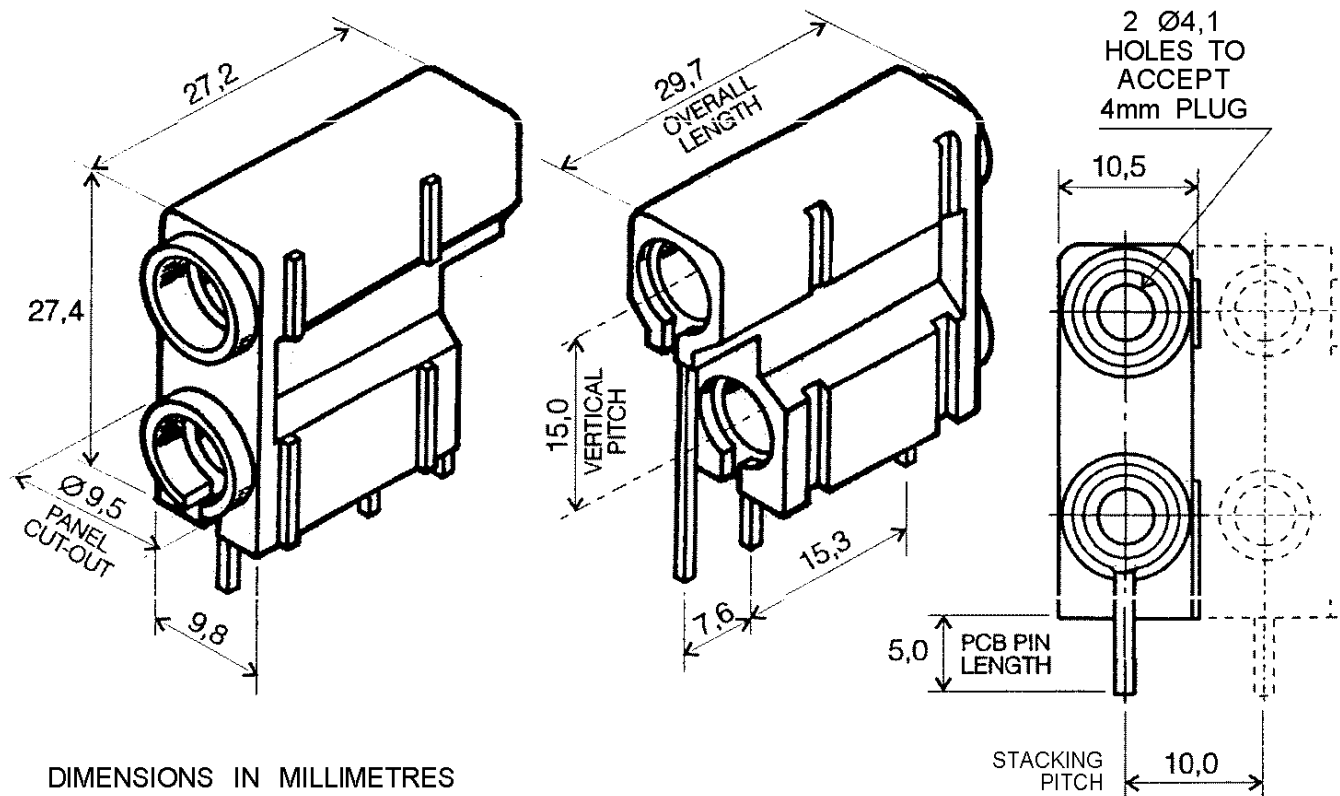
Sheet 1 of 1

Signature

Issue No. 2

Deltron Part No. **572 SERIES**

Dimensions



Description

A double insulated 4mm socket, for direct mounting onto printed circuit boards. Has grooves in the outer acetal housing which provide side stacking alignment.

COLOUR ORDER CODE

| | |
|---------------|----------|
| BLACK | 572-0100 |
| BLUE | 572-0200 |
| BROWN | 572-0300 |
| GREEN | 572-0400 |
| RED | 572-0500 |
| WHITE | 572-0600 |
| YELLOW | 572-0700 |

Features

MATERIALS

| | |
|---------|---------------------------|
| HOUSING | : Acetal |
| PINS | : Brass, silver plated |
| BUSHES | : Brass, silver plated |

CURRENT RATING : 10 Amps

